



IPA 30 M

INTERIOR PARTITION SYSTEM

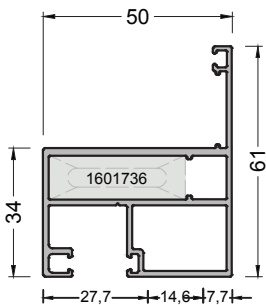
IPA 30

INTERIOR PARTITION SYSTEM

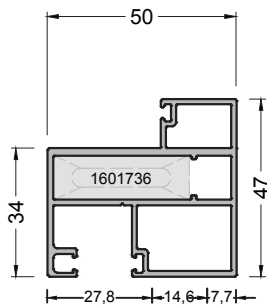
ACCURACY

HARMONY

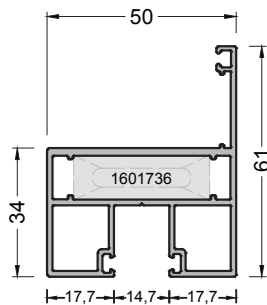
BALANCE



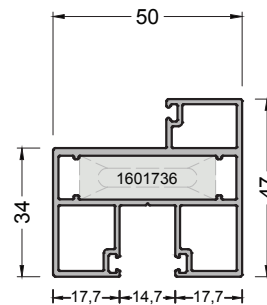
630-1101 (1,085 kg/mt)
IP30F01 FRAME PROFILE



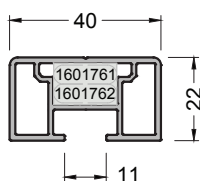
630-1102 (1,130 kg/mt)
IP30F02 FRAME PROFILE



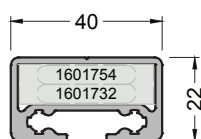
630-1103 (1,135 kg/mt)
IP30F03 FRAME PROFILE



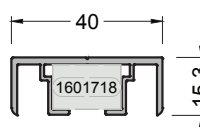
630-1104 (1,180 kg/mt)
IP30F04 FRAME PROFILE



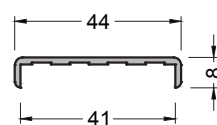
648-3108 (0,647 kg/mt)
D48V08 VENT PROFILE



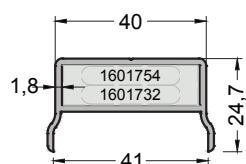
648-3102 (0,805 kg/mt)
D48V02 VENT PROFILE



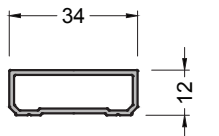
648-3106 (0,424 kg/mt)
D48V06 LAMINANT VENT PR.



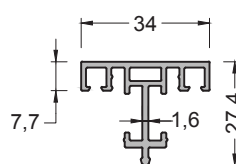
648-3104 (0,230 kg/mt)
D48V04 LAMINANT VENT PR.



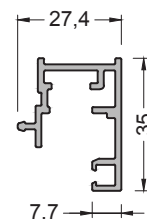
648-3103 (0,572 kg/mt)
D48V03 LAMINANT VENT PR.



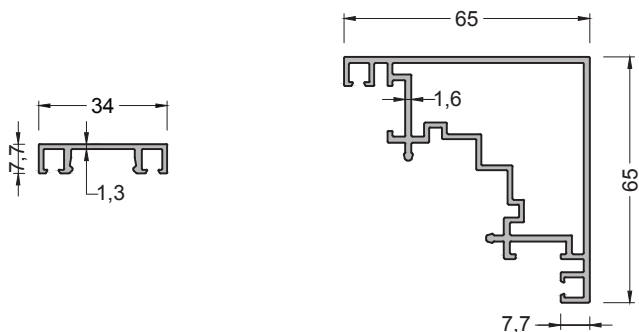
648-2103 (0,300 kg/mt)
D48M03 MULLION PROFILE



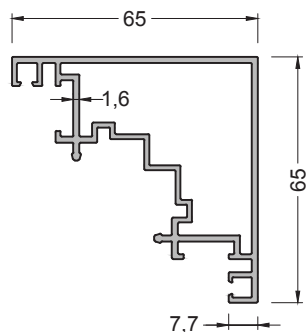
630-2101 (0,485 kg/mt)
IP30M01 MULLION PROFILE



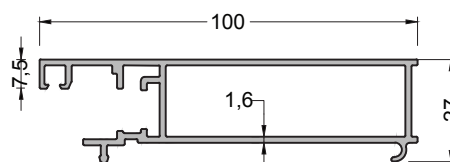
630-1201 (0,500 kg/mt)
IP30F05 FRAME PROFILE



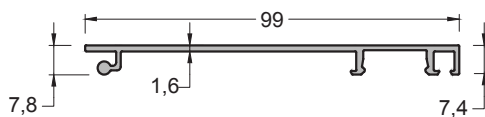
630-7201 (0,245 kg/mt)
IP30P01 CAP PROFILE



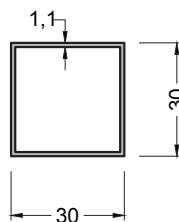
630-9101 (1,220 kg/mt)
IP30C01 CORNER PROFILE



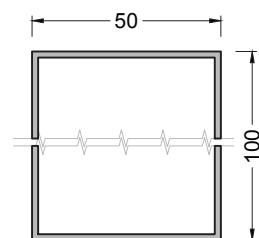
630-1301* (1,165 kg/mt)
IP30F04 BOTTOM PROFILE



630-7301* (0,555 kg/mt)
IP30P02 CAP PROFILE



SK-1559 (0,344 kg/mt)
BOX PROFILE



SD-10154 (1,272 kg/mt)
BOX PROFILE

IPA 30

INTERIOR PARTITION SYSTEM



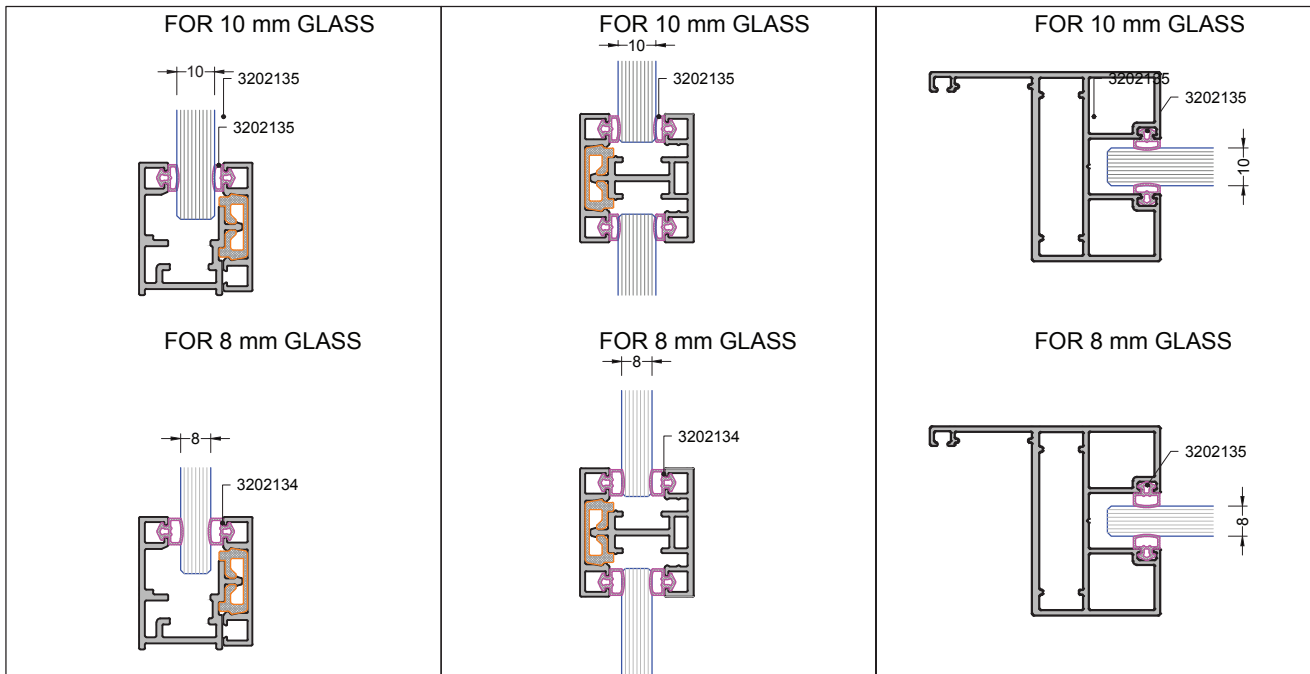
ACCURACY

HARMONY

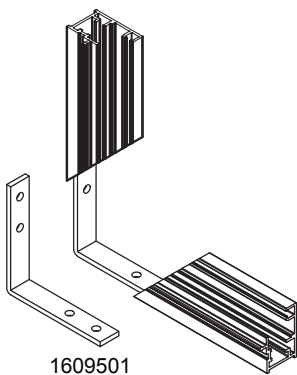
BALANCE

DRAWING	CODE	NAME
	3202134	GLAZING GASKET 10 mm
	3202135	GLAZING GASKET 8mm
	3202307	INTERIOR ACOUSTICAL GASKET
	3202312	INTERIOR ACOUSTICAL GASKET
	1603501	PVC CAP ADAPTER
	1601754	CORNER JOINT 49,5 x 34 x 10,5
	1601762	CORNER JOINT 16,7x10,5
	1601718	CORNER JOINT 18x11,8x18 24-102
	1601732	CORNER JOINT 32x11,8x32 24-101
	1601736	CORNER JOINT 36x11,8x36 24-104
	1601761	CORNER JOINT 16,7x11x** 24-113
	1609500	CORNER JOINT FOR 90° CONNECTION
	1609501	CORNER JOINT FOR 45° CONNECTION
	1609502	CORNER JOINT FROM FRAME TO MULLION 90°
	1609503	CORNER JOINT FROM FRAME TO FRAME 90°
	1609504	CORNER JOINT FROM FRAME TO MULLION 90°
	1601301	CORNER CLEAT
	0901905	ALUMINIUM HINGE
	0907905	ALUMINIUM HINGE
	0901908	ALUMINIUM HINGE
	0101927	GLASS HANDLE HOPPE

DRAWING	CODE	NAME
	5501946	HANDLE CAP
	0101918	LOCK PROVISION
	5501943	LOCK
	0101929	PIN
	5501944	LOCK 60MM
	5501945	LOCK 70MM
	5501304	GLASS HINGE
	0349G	GLASS HANDLE
	0348G	LOCK PROVISION FOR GLASS DOOR
	5501323	LOCK PROVISION
	0350G	HANDLE
	5501406	LOCK US10
	7083G	CYLINDER
	5303301	TRANSPARENT I PROFILE 8 mm
	5303303	TRANSPARENT I PROFILE 10 mm
	7599226	NORTON DOUBLE-SIDED ADHESIVE
	5303200	PVC GLASS SUPPORT 16,2 x 10 x 30
	5303201	PVC GLASS SUPPORT 19,2 x 3

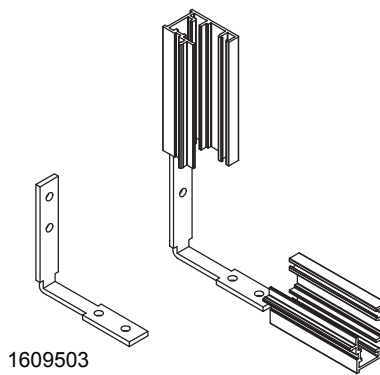


CORNER JOINT ACCESSORIES



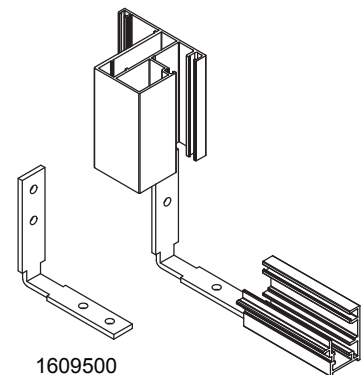
1609501

FRAME TO FRAME
45°



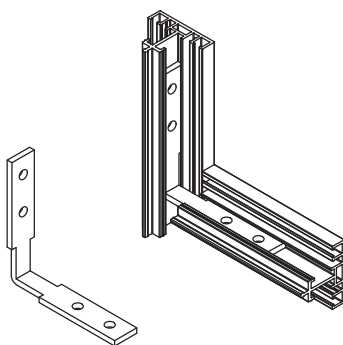
1609503

FRAME TO FRAME
90°



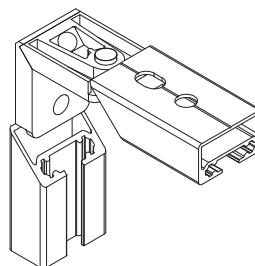
1609500

DOOR FRAME TO FRAME
90°



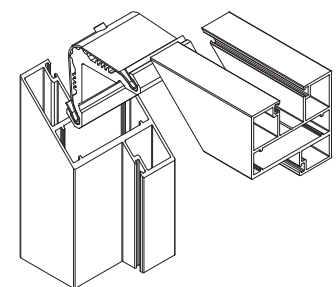
1609502

MULLION TO MULLION
90°



1601754 / 1601732 (CAL)

FROM 648-3102 & 648-3103 VENT PROFILES
ALLEN 45° COVER



1601736 (CAL)

FROM DOOR FRAME
ALLEN 45° COVER

IPA 30

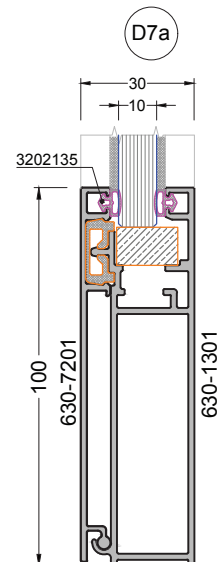
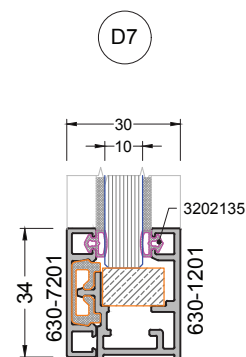
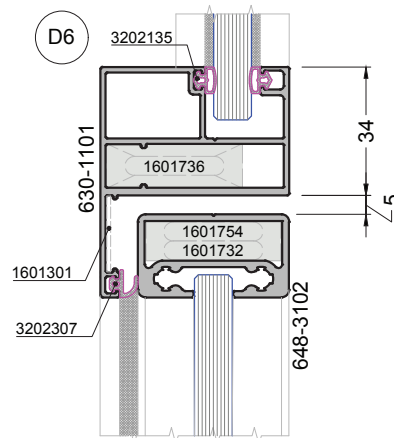
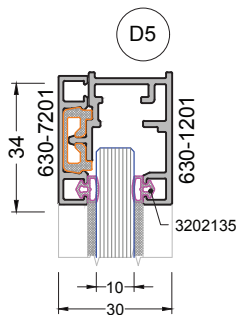
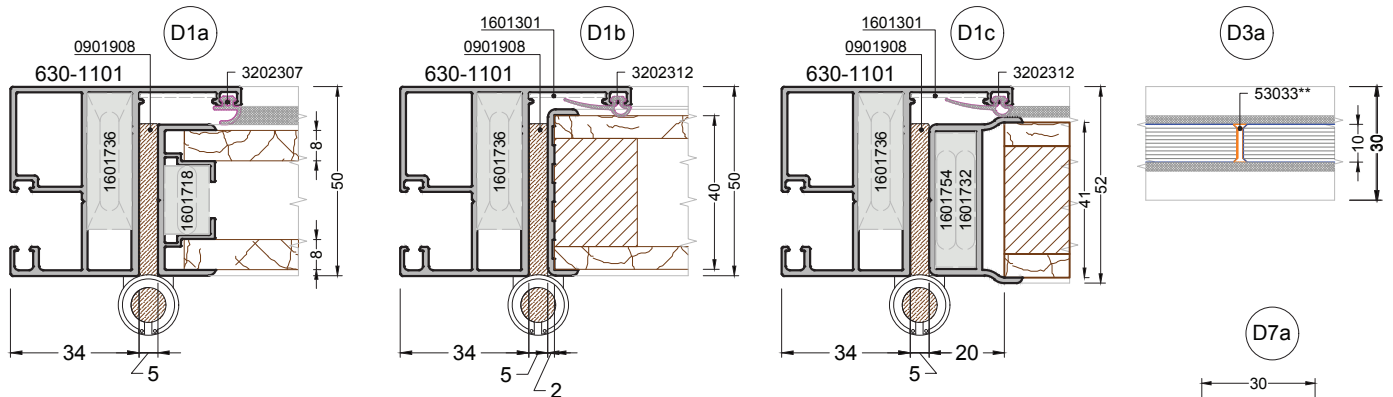
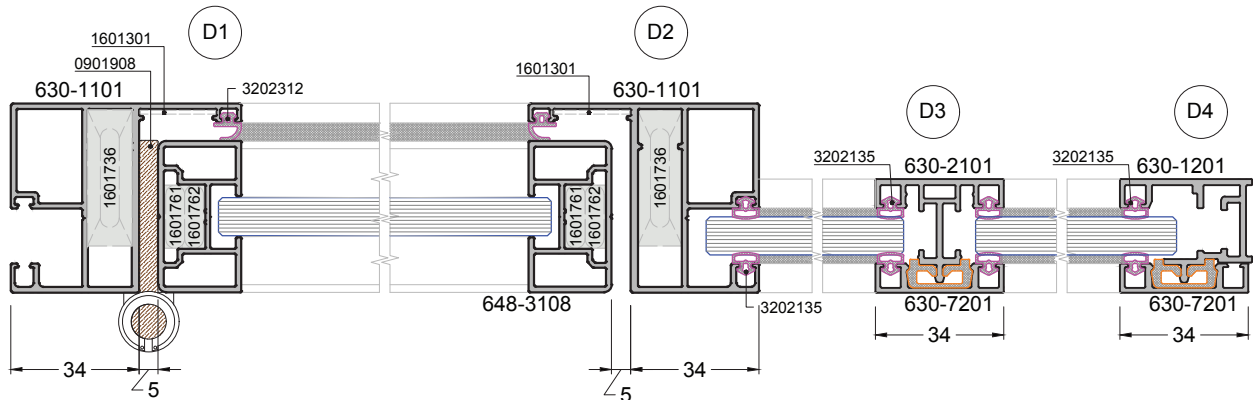
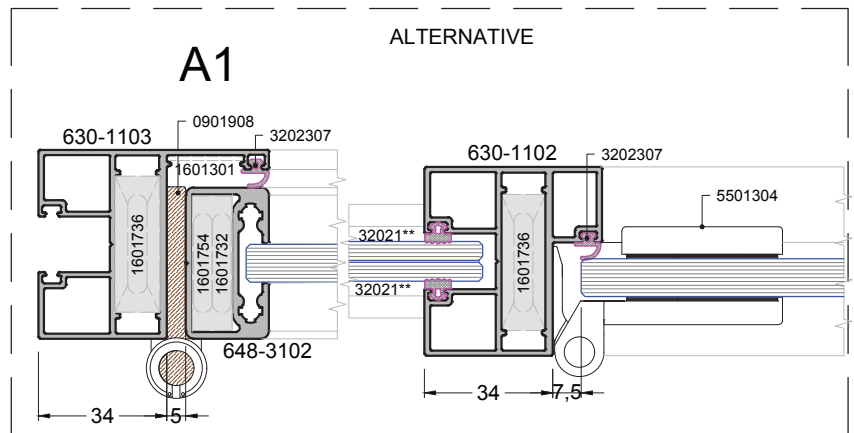
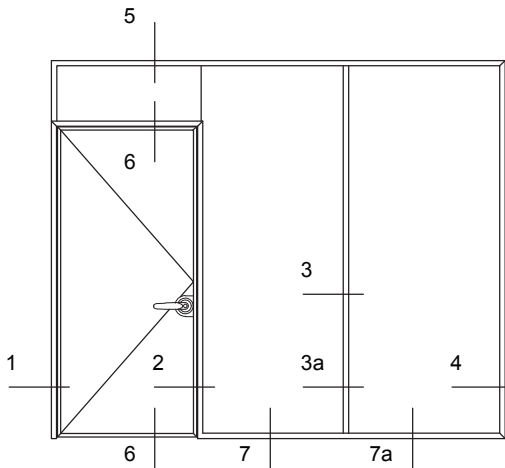
INTERIOR PARTITION SYSTEM



ACCURACY

HARMONY

BALANCE



IPA 30

INTERIOR PARTITION SYSTEM



ACCURACY

HARMONY

BALANCE

